

Elen224 Chapter 4 figs

Alan Robert Clark

December 9, 2005

Note that the source code for the figs can be seen by clicking the pic. You will need to use your Browser's BACK button to return to this page.

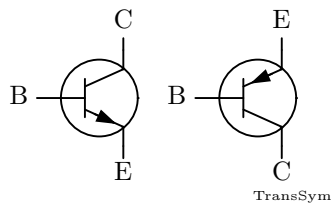


Figure 1: Symbols of *npn* and *pnp* Bipolar Junction Transistors

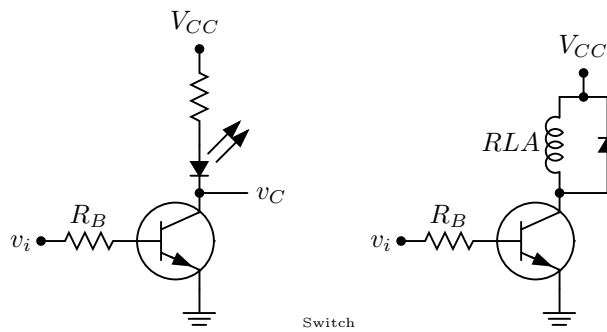


Figure 2: Switching uses of a BJT

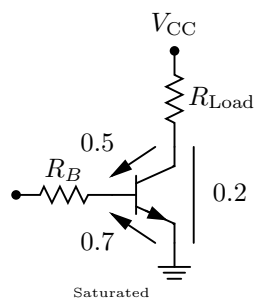


Figure 3: Saturated transistor, showing the voltages.

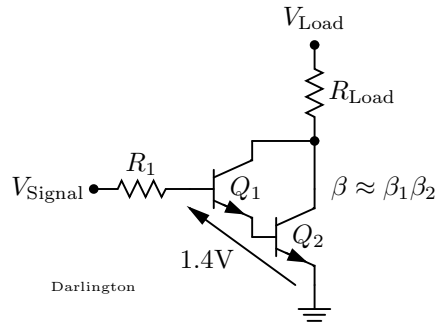


Figure 4: Using a Darlington Pair as a Switch

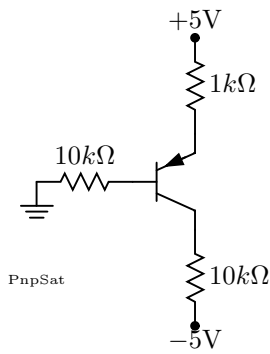


Figure 5: Saturated pnp transistor.

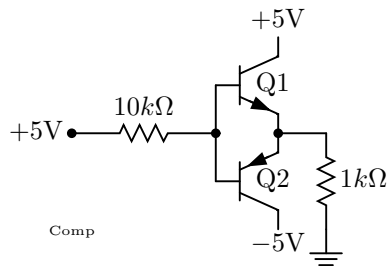


Figure 6: Complementary pair.

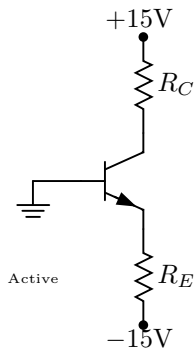


Figure 7: Transistor in active mode.

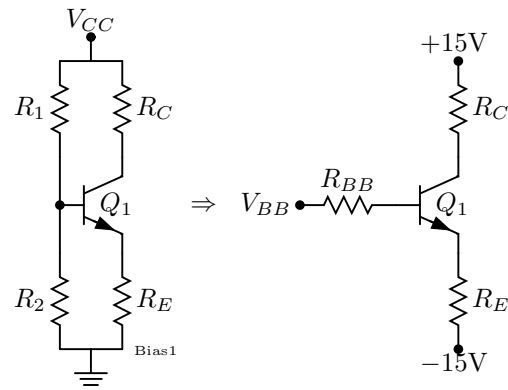


Figure 8: Biasing network with a single ended supply

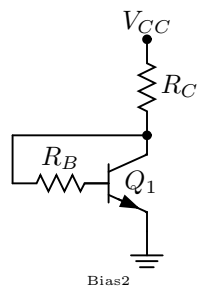


Figure 9: Even simpler Biasing, but somewhat problematic.